

WestRock

# Handiman™ 20

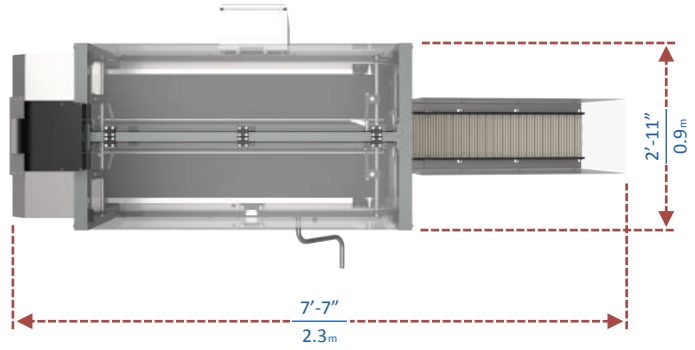
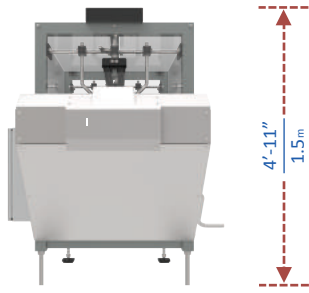
High flexibility, low investment

WestRock Handiman™ 20 is a semi-automated multipacking machine ideal for small operations or market testing.

- Enables low-risk market testing or market entry
- Simplifies installation with 110V or 220V power supply
- Offers range of secondary packaging formats, including both wraps and baskets



# Handiman™ 20



## Features

- Capable of running baskets and wraps on same machine
- Simple, mechanical drive system
- Can run Full Tuck Ad Panel feature for increased billboarding
- Semi-automated operation

## Primary Container

- Can be configured for bottles (glass, aluminum or PET), cans, bricks or cups (loose or attached)
- Single height between 40mm & 250mm
- Single diameter between 40mm & 112mm



## Maximum Speed

- Up to 10 packs/minute, depending on operator loading time

## Power Requirements

- Power: Compatible with standard 110V or 220V power supply

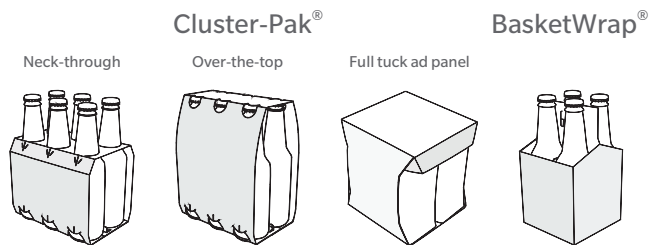
## Package Formats

- 2x2 through 2x6

## Changeover

- Single operator changeover in less than 5 minutes

## Package Styles



Note: All illustrations and specifications are subject to change without notice, and drawing dimensions are approximate and not to scale.

For more information contact  
pkgequipment@westrock.com

Revision: March 2020

©2018 WestRock Company. All rights reserved.

[westrock.com/beverage](http://westrock.com/beverage)

