

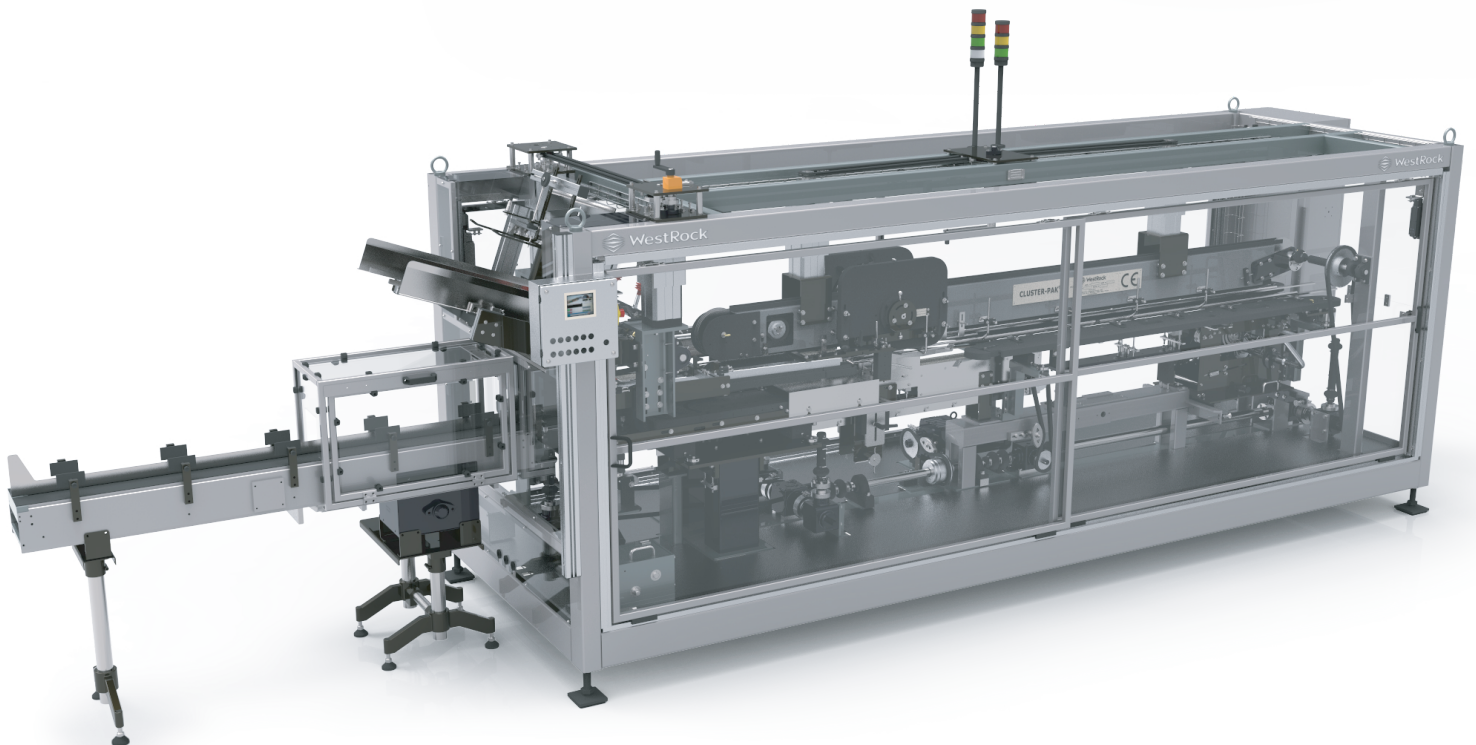
WestRock

# Cluster-Pak<sup>®</sup> 400

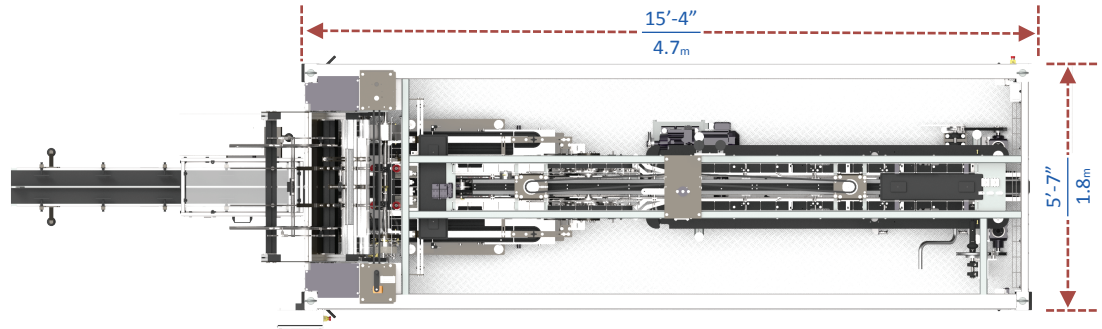
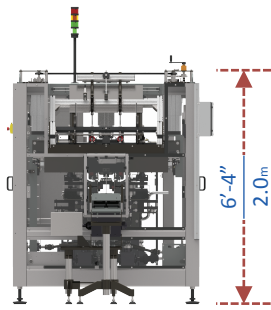
Low cost solution for automation and scale-up

WestRock Cluster-Pak<sup>®</sup> 400 is a cost-effective wrap machine for cans, bottles, loose or attached cups.

- Optimizes constrained production space with small footprint layout
- Enables affordable automation solution for lower speed applications
- Includes a touchscreen HMI to simplify operator interface



## Cluster-Pak® 400



### Features

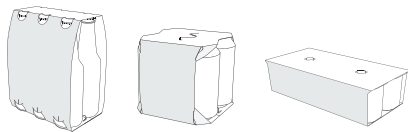
- Integrated electrical panel
- Mechanical drive system
- Double lane capability
- Multiple locking (closure) styles
- Simple, reliable operation
- Touchscreen HMI

### Primary Container



- Glass & PET bottles, cans, loose cups or attached cups
- Diameter between 53mm & 66mm (up to 4 different)
- Height between 90mm & 260mm (up to 8 different)

### Package Styles



Cluster-Pak®

- Bottles: Over the top and neck through for 2 lane only
- Option: Various package features for product retention and advertising panels

Note: All illustrations and specifications are subject to change without notice, and drawing dimensions are approximate and not to scale.

For more information contact  
[pkgequipment@westrock.com](mailto:pkgequipment@westrock.com)

Revision: January 2019

©2017 WestRock Company. All rights reserved.

[westrock.com/beverage](http://westrock.com/beverage)

### Package Formats

- 2x2 through 2x4  
or  
1x2 through 1x4

### Maximum Speeds

- 120 packs/minute

### Air & Power Requirements

- Air: 1000 Nm<sup>3</sup>/hr, 35 cfm
- Power: 380 VAC, 3-phase
- Option for other power requirements as needed

### Changeover

- Single operator changeover in less than 30 minutes

### Optional Capabilities

- Auto lubrication
- Machine lighting
- Panel air conditioning or fan cooling
- Infeed & outfeed conveyors
- Modem for remote access