

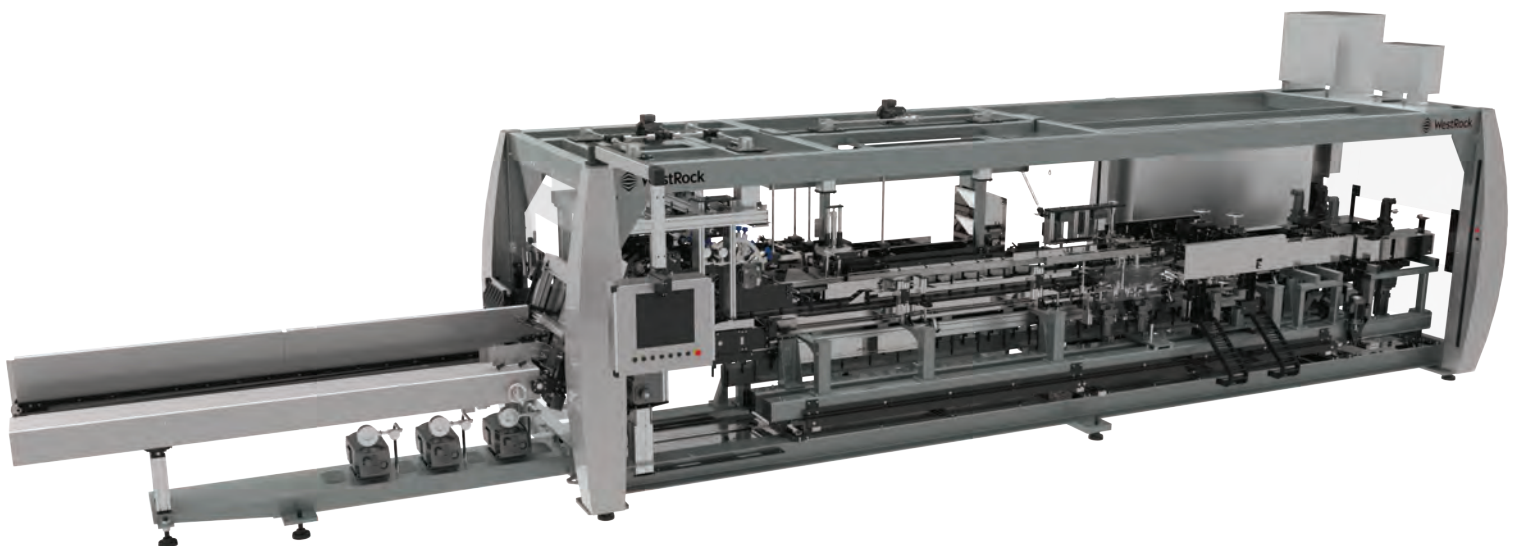
WestRock

DuoDozen[®] 1250M

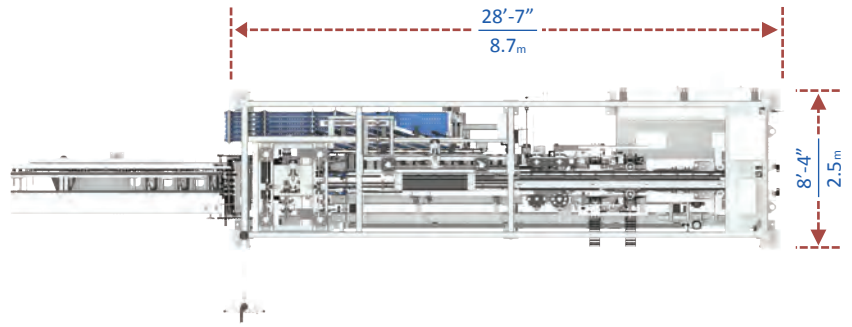
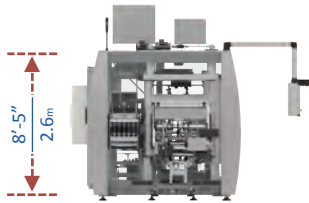
The work horse for high speed applications

WestRock DuoDozen[®] 1250M is a robust, high output, high performance machine, quickly and reliably producing fully enclosed packages for a variety of cans and plastic bottles.

- Represents industry standard for consistent output at high speeds
- Offers low cost of ownership with reliable performance and heavy-duty construction
- Enables responsiveness to dynamic markets through multi-height/diameter capabilities



DuoDozen® 1250M



Features

- Auto lubrication system
- Nordson hot melt glue system with on-screen computer control
- 4G enabled on-line technical support
- Integrated electrical panel
- Auto machine prime
- Auto machine washdown

Primary Container

- Aluminum cans and aluminum and plastic bottles
- Height between 89mm & 159mm
- Diameter between 53mm & 66mm
- Other diameters and heights available as options



Maximum Speeds

- 2x2: 300 packs/minute
- 2x6: 220 packs/minute
- 3x packs: 240 packs/minute
- 4x packs: 125 packs/minute

Air & Power Requirements

- Air: 8 scfm @ 90 psi
- Power: 480V
- Option for other power requirements as needed

Package Formats

- Aluminum cans: 2x2 through 4x6
- Bottles: 2x2 through 4x6

Package Styles



Fridgemaster® DuoDozen® DuoWing® Econodozen™

Control System

- Omni-directional touchscreen control panel
- A-B Control Logix PLC
- Bosch servo drive system
- Option for other PLC as required

Changeover

- Single operator changeover in 15-35 minutes (with no diameter change)
- Color coded, labeled and tool-less change parts
- On-screen changeover checklist

Ergonomics

- Waist-level hopper for easy carton loading
- Open frame design with light curtains for full machine access

Note: All illustrations and specifications are subject to change without notice, and drawing dimensions are approximate and not to scale.

For more information contact
pkgequipment@westrock.com

Revision: November 2017

©2017 WestRock Company. All rights reserved.

westrock.com/beverage

