

WestRock

Cluster-Pak® 410

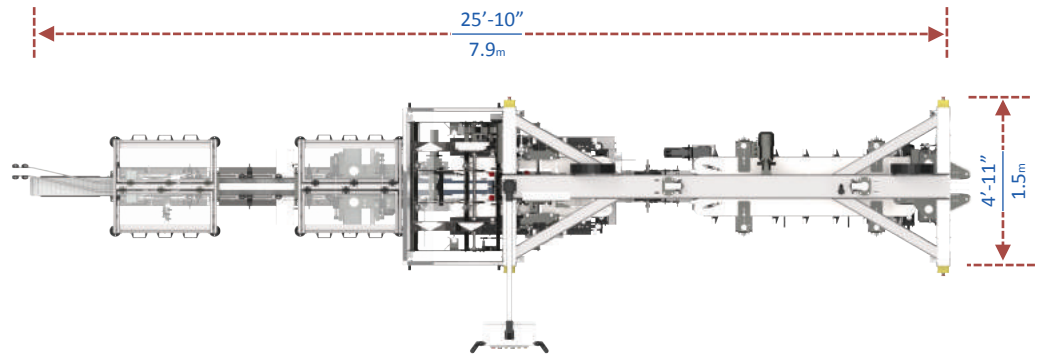
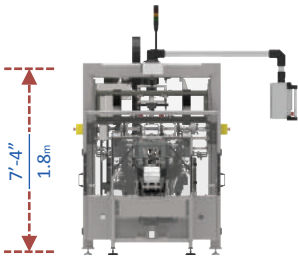
The industry standard for multipacking octagonal shaped aseptic containers

WestRock Cluster-Pak® 410 is the market-leading packaging machine for shaped aseptic filling lines, offering a range of wrap features and reliable performance.

- Accommodates premium package features such as caps, straws and angled tops
- Integrates seamlessly into prevailing aseptic line design and controls
- Eliminates unfinished packages due to line stoppages, improving efficiency and reducing waste
- Offers simple operation and maintenance with proven 3rd generation technology platform dedicated to multipacking shaped aseptic containers



Cluster-Pak® 410



Features

- Glue-less locking system for closure
- Stainless steel construction
- Omni-directional touchscreen control panel
- Servo drive system
- Easy machine access (light curtains)
- Slide-out acrylic locking section

Primary Container

- Octagonal shaped aseptic packages
 - Standard with or without straws
 - With or without cap
 - Angled top with or without cap

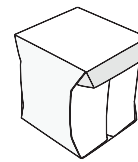


- Volume: 200/250 mL, 330 mL, 500mL
- Height between 102mm & 170mm
- Depth between 50mm & 65mm
- Width between 52mm & 69mm

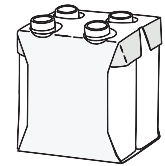
Package Formats

- Standard: 2x2, 2x3
- Optional: 2x4

Package Styles



Cluster-Pak® with full tuck ad panel



Cluster-Pak® for angled tops

Maximum Speeds

- 45 packs/minute (up to 10,800 product/hour filler speed)

Air & Power Requirements

- Air: 5 Nm³/hr at 6 bars
- Power: Customized to specific customer requirements

Changeover

- Single operator changeover in 10-15 minutes

Note: All illustrations and specifications are subject to change without notice, and drawing dimensions are approximate and not to scale.

For more information contact
pkgequipment@westrock.com

Revision: May 2019

©2017 WestRock Company. All rights reserved.

westrock.com/beverage

