

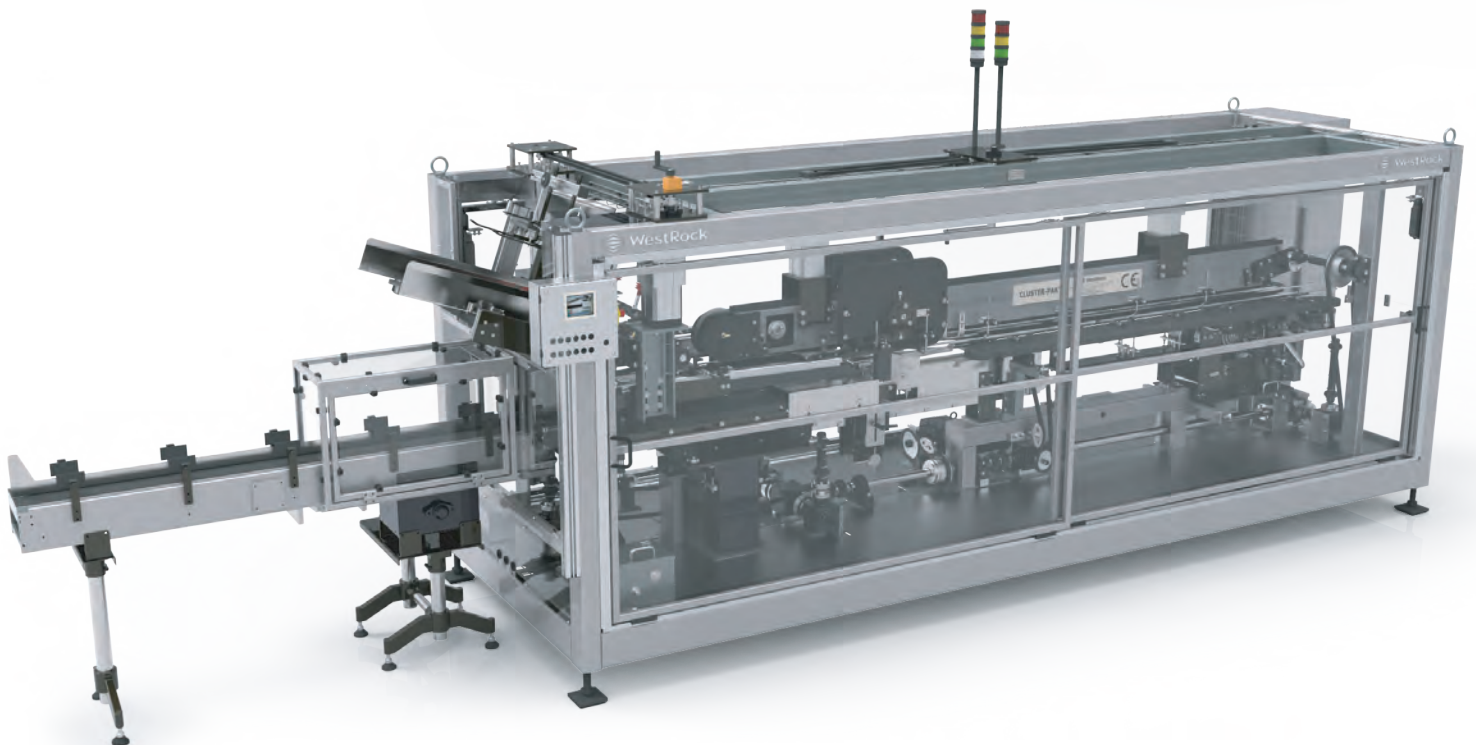
WestRock

Cluster-Pak[®] 400

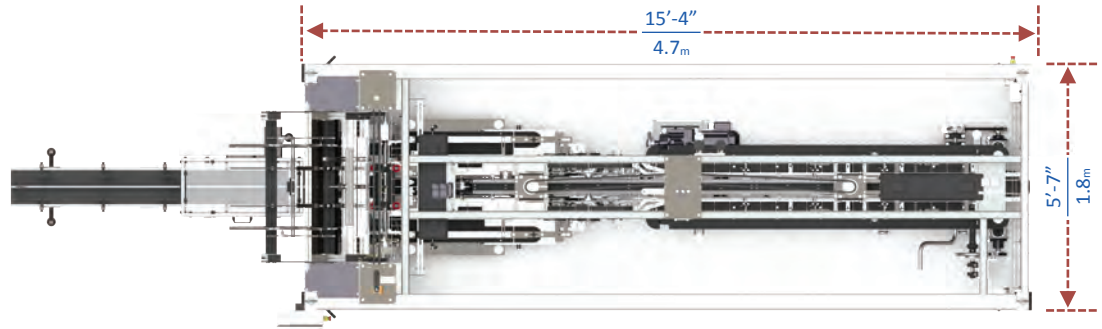
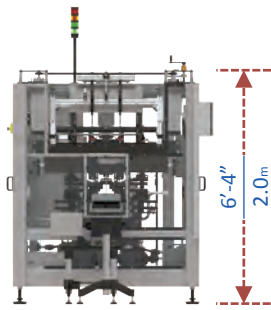
Low cost solution for automation and scale-up

WestRock Cluster-Pak[®] 400 is a cost-effective wrap machine for cans, bottles, loose or attached cups.

- Optimizes constrained production space with small footprint layout
- Enables affordable automation solution for lower speed applications
- Includes a touchscreen HMI to simplify operator interface



Cluster-Pak® 400



Features

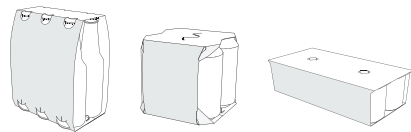
- Integrated electrical panel
- Mechanical drive system
- Double lane capability
- Multiple locking (closure) styles
- Simple, reliable operation
- Touchscreen HMI

Primary Container



- Glass & PET bottles, cans, loose cups or attached cups
- Single diameter between 53mm & 68mm
- Single height between 90mm & 260mm

Package Styles



Cluster-Pak®

- Bottles: Over the top and neck through for 2 lane only
- Option: Various package features for product retention and advertising panels

Note: All illustrations and specifications are subject to change without notice, and drawing dimensions are approximate and not to scale.

For more information contact
pkgequipment@westrock.com

Revision: November 2017

©2017 WestRock Company. All rights reserved.

westrock.com/beverage

Package Formats

- 2x2 through 2x4
or
1x2 through 1x4

Maximum Speeds

- 120 packs/minute

Air & Power Requirements

- Air: 1000 Nm³/hr, 35 cfm
- Power: 380 VAC, 3-phase
- Option for other power requirements as needed

Changeover

- Single operator changeover in less than 30 minutes

Optional Capabilities

- Auto lubrication
- Machine lighting
- Panel air conditioning or fan cooling
- Infeed & outfeed conveyors
- Modem for remote access