

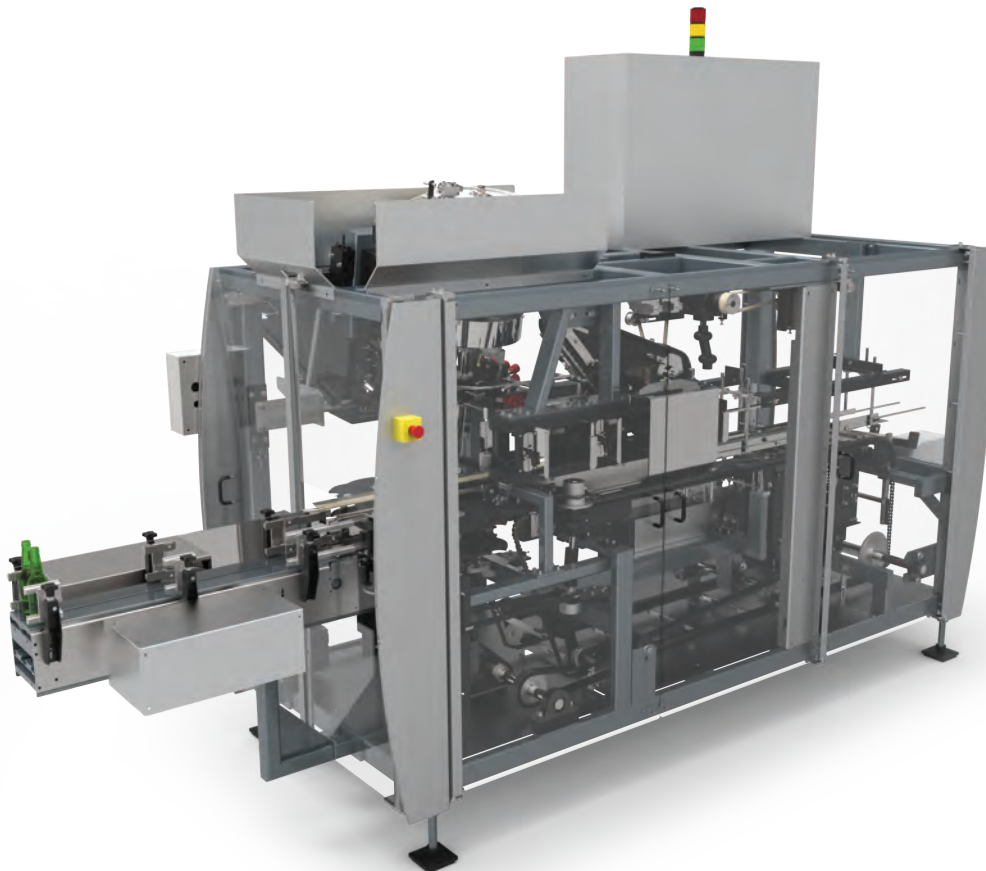
WestRock

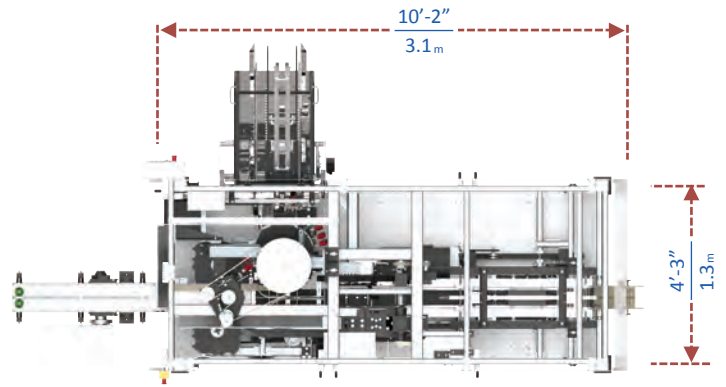
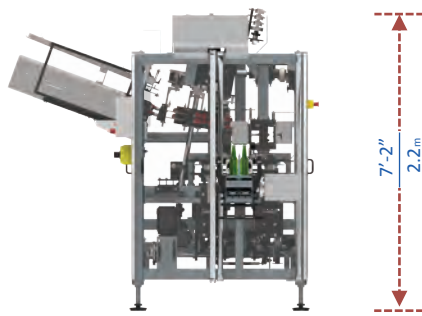
BasketWrap® 20

Entry-level automation for basket wraps

WestRock BasketWrap® 20 is a very low cost and reliable basket wrap machine for small bottling operations or market testing.

- Enables affordable automation for market entry
- Optimizes constrained production space with small footprint layout
- Supports easy operation and maintenance with simple design





Features

- Touchscreen operator panel
- Mechanical drive system
- On-machine electrical cabinet
- Open frame design

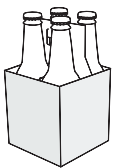
Primary Container

- Glass bottles
- Single diameter between 40mm & 68mm
- Single height between 170mm & 270mm

Package Formats

- Standard: 2x3
- Optional: 2x2

Package Styles



BasketWrap®
Parallelogram

Maximum Speeds

- 45 packs/minute

Air & Power Requirements

- Air: 2 Nm³/hr at 6 bars
- Power: Customized to specific customer requirements

Changeover

- Single operator changeover in 10 minutes

Options

- Grease system
- Oiling system
- Removable locking section for ease of maintenance

Note: All illustrations and specifications are subject to change without notice, and drawing dimensions are approximate and not to scale.