

Product Guide

PFP N

Protects preservative free or oxygen sensitive formulations



Features & benefits:

- Full protection from germs
- Based on the MK™ pump
- Non-silver spring, with no oligodynamic components
- Shut-off valve to avoid contamination
- Filter system for venting air; non-venting version without filter system is also available
- Entire pump can be sterilised via gamma irradiation
- Has a Drug Master File (DMF)
- Finger flange and hood can be easily customised
- Standard white colour, with clear and custom colours available

Closures

Snap-on S 20 closure for FEA 20 bottle neck

Caps/hoods

Vented, non-vented

Rings/finger flanges

Mini, Elegant, Square

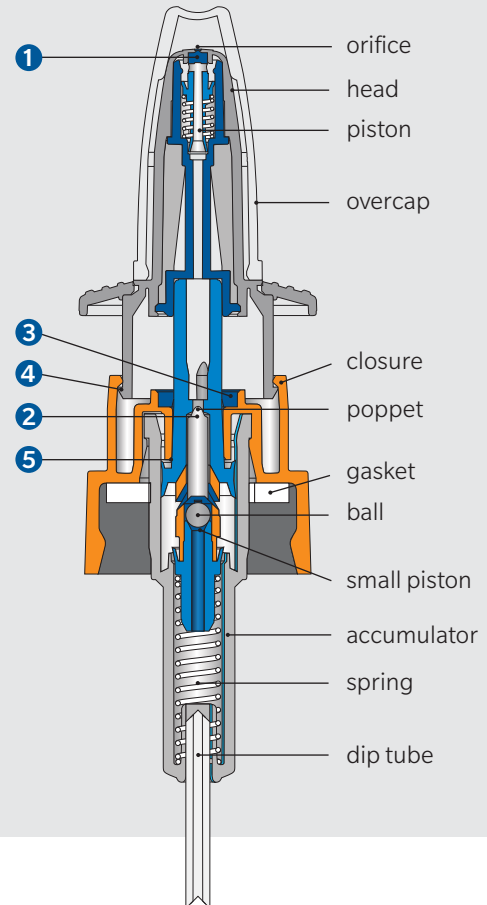
Outputs

0.050, 0.070, 0.090, 0.100 and 0.140 ml, with customised intermediary outputs also available

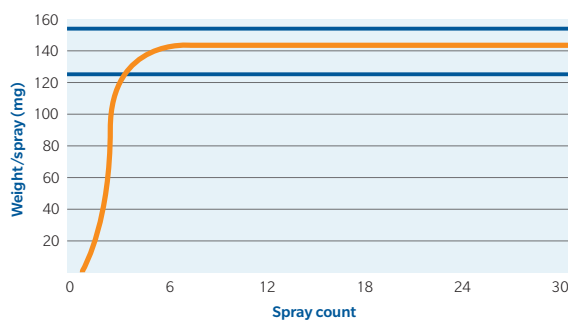
We work with our trusted partners in aseptic filling, pharmaceutical-grade bottles, gamma irradiation services and microbiological quality tests to provide you with a seamless, turnkey, end-to-end solution.

5-fold mechanical protection against germs

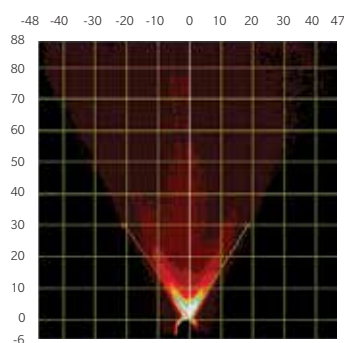
- 1 First non-return valve directly below the orifice bore
- 2 Second non-return valve in the metering chamber
- 3 Filter element for contamination-free ventilation of the container
- 4 Locked nasal adapter
- 5 Sealed air path during storage



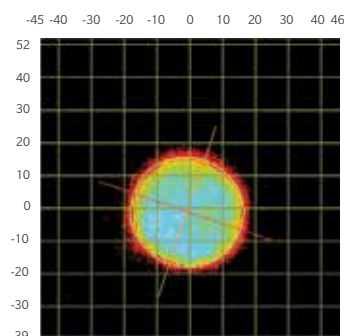
Outstanding performance



Plume geometry



Spray pattern



©2015 WestRock Company.
All rights reserved worldwide.

healthcare@westrock.com
westrock.com/healthcare