

## Product Guide

# MK™

Delivers precision dosing and superior spray performance



## Features & benefits:

- Accurate priming for OTC or Rx formulations
- All plastic materials comply with European and U.S. regulations
- Compliant with U.S. FDA nasal guidelines
- Has a Drug Master File (DMF)
- Optional configuration for upside-down spraying
- Standard white colour; other colours available upon request
- Available with shipping clip for various sizes and outputs
- Available with protective hood for nasal adapters in custom colours

Closures			
<b>Snap on</b>	S 20 GS 20		
<b>Crimp</b>	Ferrule 20 mm		
<b>Screw</b>	GL 18 short GPI 18-410 GPI 18-415	GL 20 GPI 20-400	GPI 22-415

### Nasal adapters

Round, Square, Oval, Mini, Elegant, Shroud 20, Hexagon

### Oral adapters

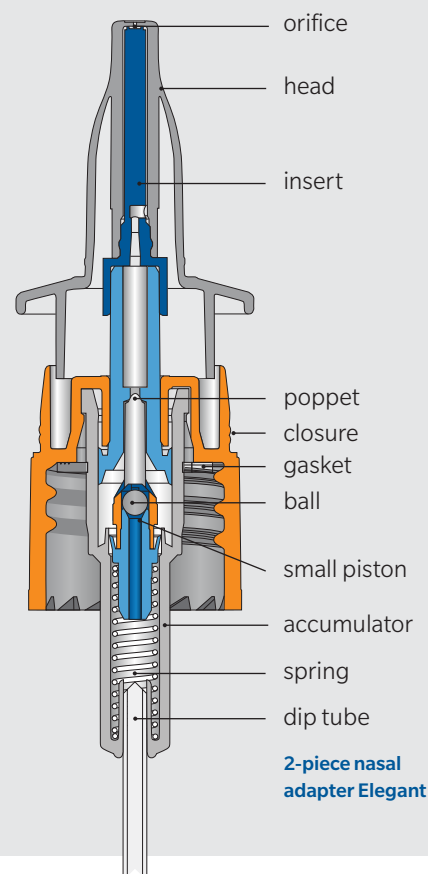
Throat adapter: short, medium, medium + protection, long, long with wings, long articulated

### Topical adapters

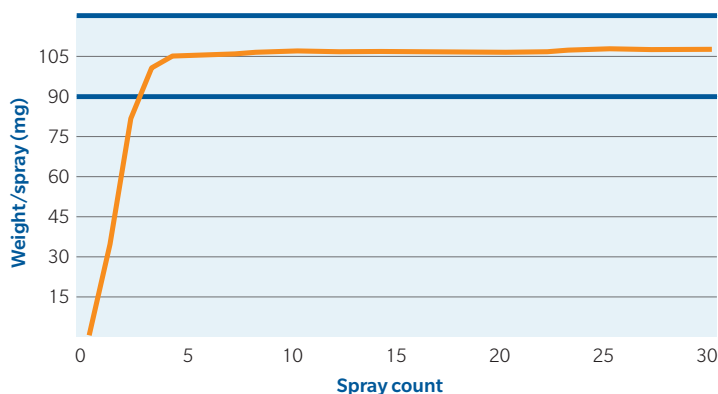
Spray head 16 mm  
Dispensing head  
Spray head with capillary tube

### Ear adapter

**Outputs**  
0.050, 0.070, 0.100, 0.130 and 0.140 ml, with customised intermediary outputs also available



## Outstanding performance



©2015 WestRock Company.  
All rights reserved worldwide.