

Product Guide

Mark II™

Trusted by many for reliable performance and excellent quality



Features & benefits:

- Excellent atomisation capabilities with great performance and quality
- Has a Drug Master File (DMF)
- Optional configuration for upside-down spraying
- Standard white colour; other colours available upon request
- Available with shipping clip for various sizes and outputs
- Available with protective hood for nasal adapters in custom colours

Closures			
Snap on	S 20 GS 20		
Crimp	Ferrule 20 mm		
Screw	GL 18 short GL 18 GL 20 GPI 18-410	GPI 18-415 GPI 20-400 GPI 22-415 GPI 24-410	23x3 23x3 USD

Nasal adapters

Round, Square,
Oval, Mini, Elegant,
Shroud 20, Hexagon

Oral adapters

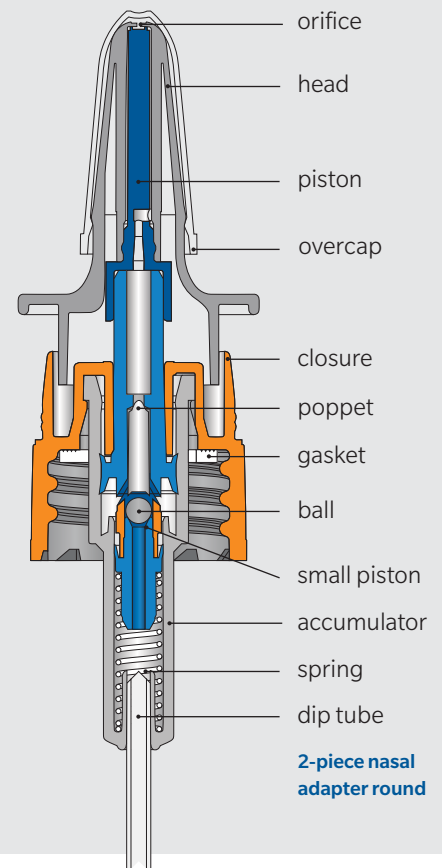
Throat adapter: short, medium,
medium + protection, long,
long with wings, long articulated

Topical adapters

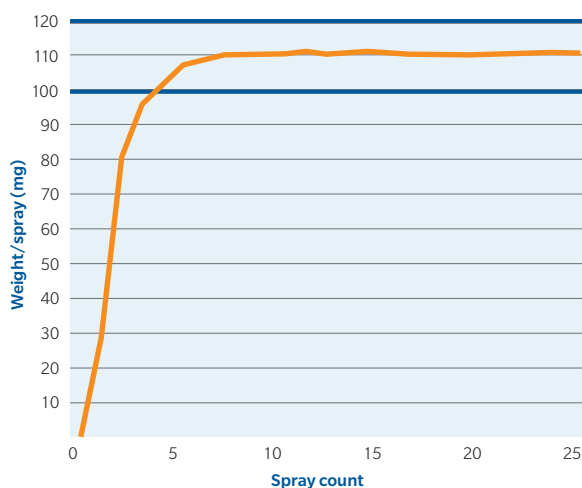
Spray head 16 mm,
Dispensing head, Spray
head with capillary tube

Ear adapter

Output range
0.100–0.180 ml



Outstanding performance



©2015 WestRock Company.
All rights reserved worldwide.