

Ergosol™ Sprayer



Ergosol™ is a trigger actuated aerosol sprayer offering flexibility and comfort that's ready to use. It's the first off-the-shelf sprayer with the aesthetics and performance functionality of a customized solution.

With Ergosol, we've combined a unique look and functionality to create a universal design that can be used for a variety of products. With fewer parts than custom solutions, brands can quickly and easily convert from traditional push-button aerosol sprayers. Ergosol fits almost any can size, provides a variety of spray patterns to choose from, and is designed to reduce finger fatigue, allowing for a better consumer experience.

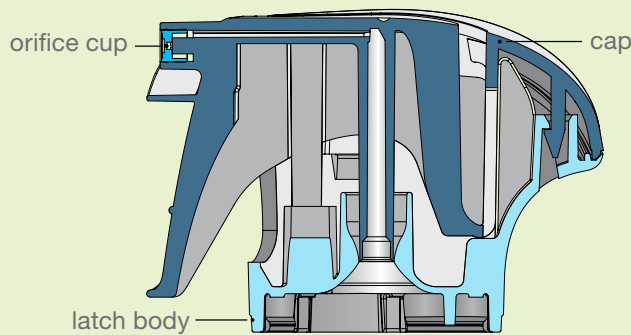
Technical features & benefits:

- Ergonomic easy-to-use design
- Nozzle design reduces finger impingement
- Simplified 3-piece aerosol actuator (grip, orifice cup and integrated cap/trigger)

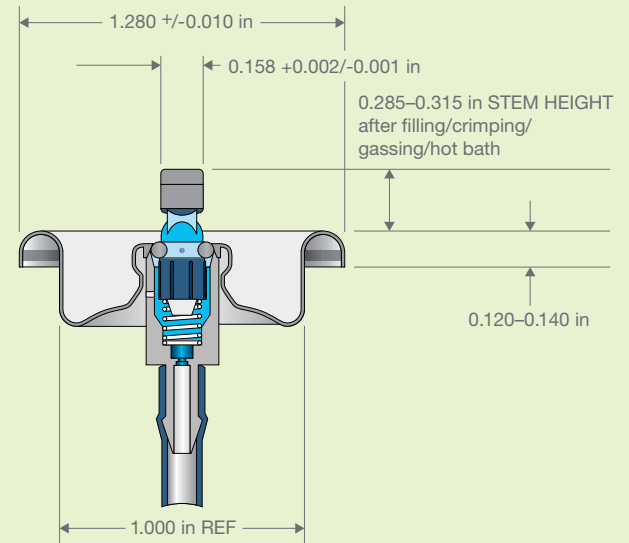
Applications:

- Air
- Home
- Garden
- Laundry
- Auto
- Professional
- Paint

Ergosol technical drawing



Valve cup dimensions



Technical requirements

Can sizes: multiple
 Valve stem: male
 Valve: 1" standard valve cup

Spray patterns

narrow, medium, wide,
 stream, custom

Corporate Headquarters
 MWV
 501 South 5th Street
 Richmond, VA 23219-0501
 Tel. +1 816 986 6000

©2012 MeadWestvaco Corporation, Richmond, VA 23219